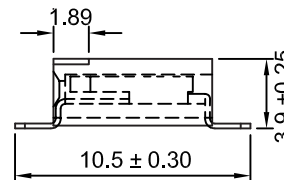
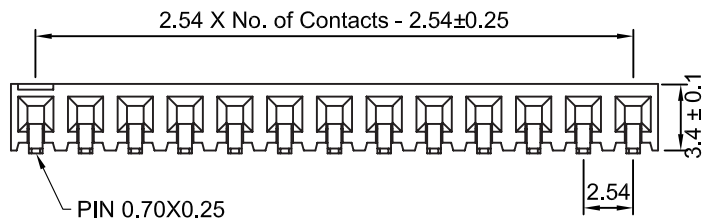
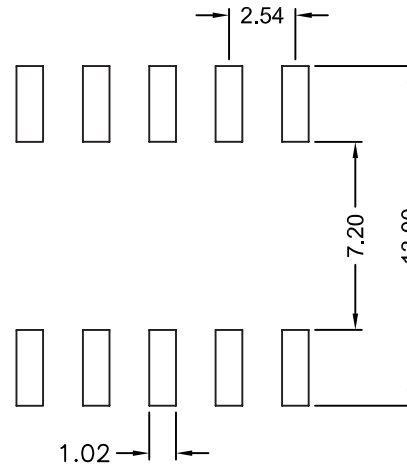


### Recommended P.C. Board SMD Layout



## Specifications

- Current Rating: 3 Amps
- Insulator Resistance: 1000 Megohms min.
- Contact Resistance: 20 m ohms max.
- Dielectric Withstanding: AC 600V
- Operating Temperature : P.B.T.: -40°C ~ +105°C  
Nylon-6T: -40°C ~ +125°C
- Contact Material: Phosphor Bronze
- Insulator Material: Polyester, UL 94V-0, P.B.T.  
Polyester, UL 94V-0, Nylon-6T
- Contact Plated: See Option / Standard = Full Gold Flash

## Part Numbering System

**FHC-HS-3481X0 - XX - X X X X**

- Series** \_\_\_\_\_
- No. of Pins** \_\_\_\_\_
- Contact Plating** \_\_\_\_\_
- Cap Option:** \_\_\_\_\_  
 Nil = No Cap  
 F = Film  
 M = Metal Cap  
 P = Plastic Cap
- Packing Method:** \_\_\_\_\_  
 B = Tube  
 T = Tape and Reel
- Insulator Material:** \_\_\_\_\_  
 Nil = P.B.T.  
 N = High Temperature Nylon-6T

* Contact Plating Option	Full Gold Plating	Gold Plated On Contact Area Tin Plated on Solder Area	Full Tin Plating
	G : Gold Flash G10: Gold 10u" G15: Gold 15u" G30: Gold 30u"	S: Gold Flash S10: Gold 10u" S15: Gold 15u" S30: Gold 30u"	T: Tin 100u"

General Tolerance	
X. ± 0.50	X.° ± 5°
.X ± 0.20	.X° ± 2°
.XX ± 0.10	.XX° ± 1°
Units : mm	